

SUBMITTAL DATA: MLZ-KP18NA-U1

18,000 BTU/H 1-WAY CEILING CASSETTE INDOOR UNIT FOR MXZ MULTI-ZONE HEAT PUMP SYSTEM

Job Name:	Location:	Date:
Purchaser:	Engineer:	
Submitted to:	For <input type="checkbox"/> Reference <input type="checkbox"/> Approval <input type="checkbox"/> Construction	
System Designation:	Schedule No.:	



Indoor Unit: MLZ-KP18NA-U1

INDOOR UNIT FEATURES

- Available sizes: 9, 12, 18 kBtu/h
- Fits between 16" joists
- Stylish, square design panel
- Built in condensate lift mechanism (19.6")
- Serviceable from the bottom (electrical and flare connections)
- Adjustable fan speeds and vane directions

ACCESSORIES:

Grille.....(Required ordered separately) MLP-444WU
 Auxilliary Heat Connector Cable.....(MAC-1710RA-U)

Optional Controls

Wireless Controller (MHK1)
 Wired Remote Controller (PAR-40MAA) (Requires MAC-334IF-E)
 Thermostat Interface (PAC-US444CN-1)
 System Control Interface (MAC-334IF-E)

SPECIFICATIONS:

Rated Capacity*		
Cooling ¹	Btu/h / W	18,000
Heating at 47° F ²	Btu/h / W	22,000

Rating Conditions per AHRI Standard:

¹ Cooling | Indoor: 80° F(27° C)DB / 67° F(19° C)WB; Outdoor: 95° F(35° C)DB / 75° F(24° C)WB

² Heating at 47° F | Indoor: 70° F (21° C)DB / 60° F (16° C)WB; Outdoor: 47° F (8° C)DB / 43° F (6° C)WB

For data on specific indoor units (all ducted, all non-ducted) combinations, see the MXZ Technical and Service Manual.

Applications should be restricted to comfort cooling only; equipment cooling applications are not recommended for low ambient temperature conditions.

Electrical Power Requirements	208 / 230V, 1-Phase, 60 Hz	
-------------------------------	----------------------------	--

Minimum Circuit Ampacity (MCA) *	A	1
----------------------------------	---	---

* All electrical work shall comply with National (CEC) and local codes and regulations.

Blower Motor (ECM)	F.L.A.	0.68
--------------------	--------	------

Blower Motor Output	W	30
---------------------	---	----

Field Drainpipe Size O.D.	In.(mm)	1-1/4 (32)
---------------------------	---------	------------

Airflow Rate (Quiet - Lo - Med - Hi - Super Hi)			
Cooling	DRY	CFM	212-293-346-403
	WET		180-249-294-343
Heating	DRY		212-311-364-417

Sound Pressure Level (Quiet - Lo - Med - Hi - Super Hi)		
Cooling	dB(A)	29-36-41-47
Heating		26-37-42-48

External Dimensions (H x W x D)	In.(mm)	7-5/16 x 43-3/8 x 14-3/16 (185 x 1102 x 360)
---------------------------------	---------	--

Net Weight	Lbs.(kg)	34 (15)
------------	----------	---------

External Finish	Munsell No.3Y 7.8/1.1	
-----------------	-----------------------	--

Refrigerant Piping (Flared)		
Liquid (High Pressure)	In.(mm)	1/4 (6.35)
Gas (Low Pressure)		1/2 (6.35)

Should this document be altered or changed without MESCA's permission, it becomes null and void. MESCA assumes no responsibility for any consequences in such cases.

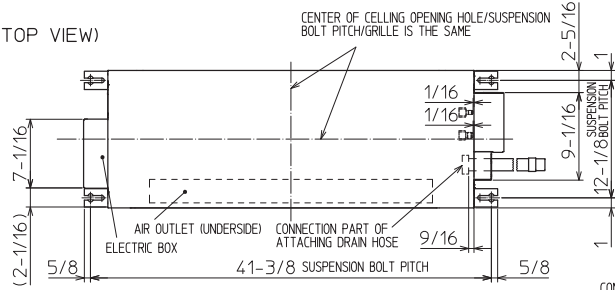
Specifications are subject to change without notice.

DIMENSIONS: MLZ-KP18NA-U1

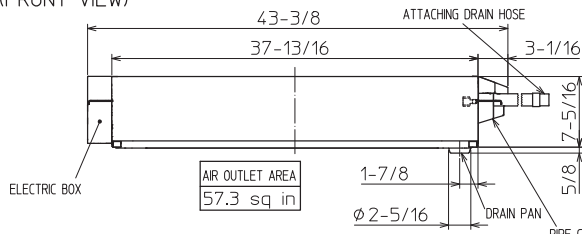
Unit: in.

INDOOR UNIT OUTLINE DRAWING

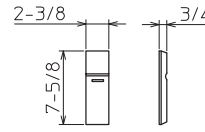
(TOP VIEW)



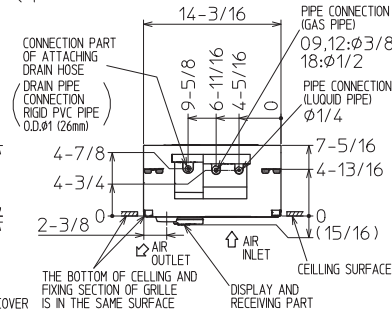
(FRONT VIEW)



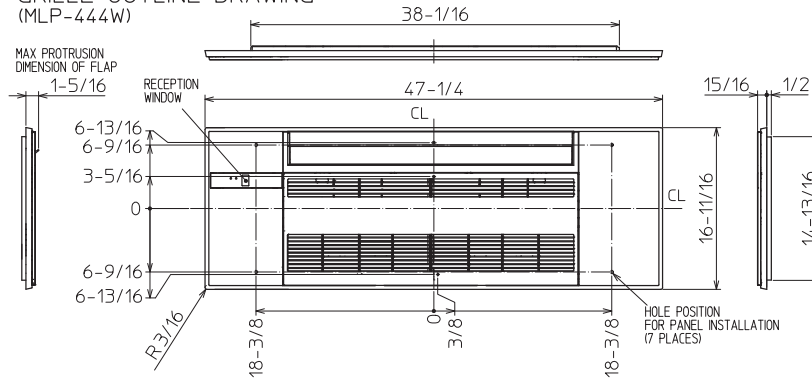
REMOTE CONTROLLER OUTLINE DRAWING



(RIGHT SIDE VIEW)



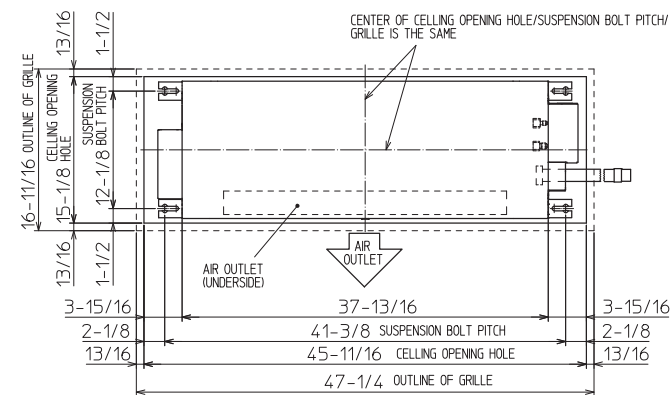
GRILLE OUTLINE DRAWING (MLP-444W)



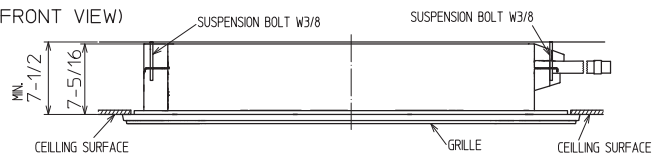
		KP09/12NA	KP18NA
EXTENSION PIPE	LIQUID PIPE O.D.	Ø1/4	
	GAS PIPE O.D.	Ø3/8	Ø1/2
CONNECTION OF PIPE	LIQUID PIPE	FLARED CONNECTION Ø1/4	
	GAS PIPE	FLARED CONNECTION Ø3/8	FLARED CONNECTION Ø1/2
DRAIN HOSE	HEAT INSULATOR O.D.	CONNECTION I.D.	EFFECTIVE LENGTH
DRAIN PIPE CONNECTION	Ø1-1/4	Ø1	18-7/8
DRAIN PIPE CONNECTION		RIGID PVC PIPE O.D. Ø1 (26mm)	

NOTE1. CUT THE DRAIN HOSE (ACCESSORY) FOR USE, IF NECESSARY.

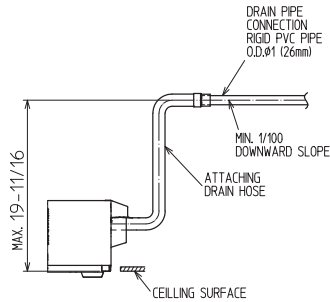
INDOOR UNIT DETAIL VIEW (TOP VIEW)



(FRONT VIEW)



THE METHOD FOR STANDING DRAIN FROM INDOOR UNIT
* CUT THE DRAIN HOSE (ACCESSORY) FOR USE, IF NECESSARY.



Should this document be altered or changed without MESCA's permission, it becomes null and void. MESCA assumes no responsibility for any consequences in such cases.

